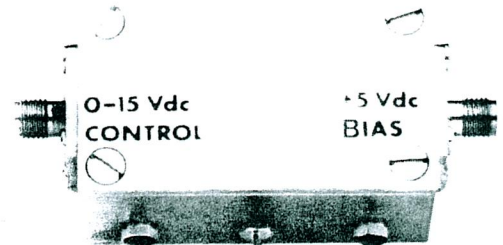
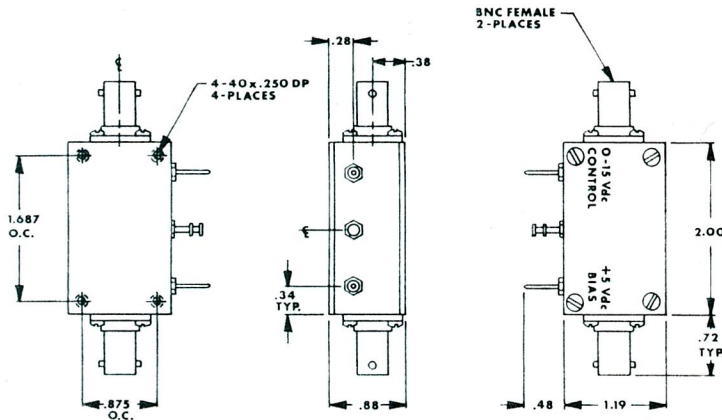




Programmable Attenuators Analog



Model 75AP-001

Model 50AP-002

Frequency Range
10-500 MHz

Attenuation Range
0-30 dB continuously variable

Impedance
75 Ohms Nominal

VSWR (any setting)
1.3:1 Maximum

Flatness
0-15 dB \pm .5 dB
15-30 dB \pm .75 dB

Insertion Loss
2.0 dB Maximum

RF Input Power
+ 10 dBm

Intercept Point
+ 30 dBm

Switching Speed
50 Microseconds

BIAS
+ 5 Vdc at 2 mA

RF Connectors
BNC or F Female

Control (negative slope)
0 to + 15 Vdc at 20 mA

Frequency Range
10-500 MHz

Attenuation Range
0-30 dB continuously variable

Impedance
50 Ohms Nominal

VSWR (any setting)
1.4:1 Maximum

Flatness
0-15 dB \pm .5 dB
15-30 dB \pm .75 dB

Insertion Loss
2.0 dB Maximum

RF Input Power
+ 10 dBm

Intercept Point
+ 30 dBm

Switching Speed
50 Microseconds

BIAS
+ 5 Vdc at 2 mA

RF Connectors
BNC, N or SMA Female

Control (negative slope)
0 to + 15 Vdc at 20 mA